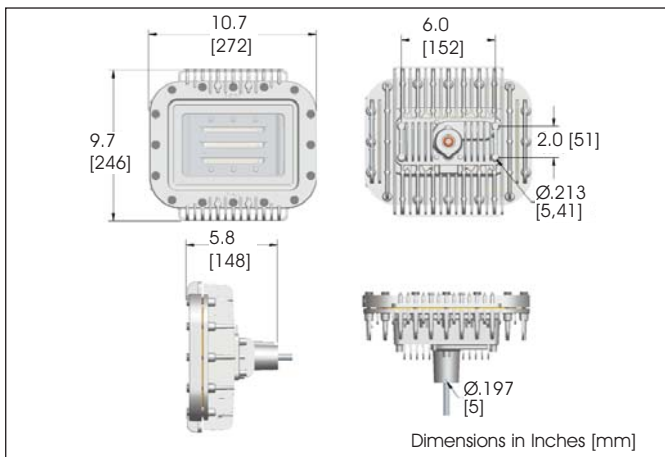


# Dialight



Patent Pending

## SafeSite® Series LED Area Light Amber - ATEX/IECEx Version



Dimensions in Inches [mm]

### Certifications

- Ex II 2GD Ex d IIC T4 Gb (Ta = -20°C to +65°C)
- Ex II 2GD Ex d IIC T5 Gb (Ta = -20°C to +42°C)
- Ex † IIC T1 35°C Db IP 6X (Ta = -20°C to +65°C)
- Ex † IIC T1 00°C Db IP 6X (Ta = -20°C to +42°C)
- -40°C variants available for all the above
- Certificate numbers: IECEx SIR 11.0156  
SIRA 11ATEX1357
- ATEX Zones 1 & 21 and 2 & 22
- IP66/67 rated
- RoHS compliant

### Features & Benefits

- 5 year full performance warranty
- Instant on/off operation
- Universal input (110-277 VAC), 50/60Hz
- Superior colour rendition index compared to HPS, LPS, MV
- Mercury free
- Resistant to shock and vibration
- Temperature compensation technology for longer life
- L70 rated for > 100,000 hours @ 25°C ambient
- Factory sealed
- Junction box version also available

### Ordering Codes:

Part Number <sup>1</sup>	Optical Pattern <sup>2</sup>	Color	Lumens	Watts	Lumens Per Watt
HZA2A2N	180	Amber	2,300	43	53
HZA3A2N	360	Amber	2,300	43	53
HZA4A2N	180	Amber	3,000	55	55
HZA5A2N	360	Amber	3,000	55	55
HZA8A2N	180	Amber	3,700	70	53
HZA9A2N	360	Amber	3,700	70	53

<sup>1</sup>For -40°C to +65°C versions add LT to the standard part number Ex: HZA2A2N becomes HZA2A2N-LT

<sup>2</sup>180° optical pattern versions are optimized for a 45° mounting angle

www.dialight.com

### Application:

The SafeSite® Series LED area light represents the future of energy efficient facility illumination for hazardous areas worldwide. The ATEX /IECEx area lighting fixture consumes at least 50% less energy compared to traditional HID light sources, while reducing maintenance and carbon emissions. This light incorporates both cutting edge LED technology along with proprietary optics to achieve area lighting comparable with other traditional light sources.

The precise optics and wavelength of the Amber LEDs make this fixture ideal for wildlife specific applications. This fixture, with a peak wavelength of 590nm reduces attrition of turtles, fox, hawks, insects and other wildlife.

### Mechanical Information

Fixture Weight:	7.48kg (16.5 lb)
Shipping Weight:	8.39kg (18.5lb)
Mounting:	Supplied with Stirrup Mounting Bracket
Cabling:	Factory installed 3 metre SWB cable

### Electrical specifications

Operating Voltage:	110-277VAC, 50/60 Hz
Power Consumption:	43W / 55W / 70W
Operating Temp:	-20°C to +65°C (-20°F to +149°F) -40°C to +65°C also available
Surge Protection:	1 kV line to line 2 kV line to ground

THD: <15%

Power Factor: > 0.9

### Construction

Housing:	Powder coated A360 aluminum
Finish:	Polyester / epoxy powder coat gray RAL 7040 for superior corrosion resistance
Lens:	Toughened glass

### Photometric Information

Peak Wavelength:	590nm
Optics:	180° forward throw 360° forward throw
IES Files:	Available upon request

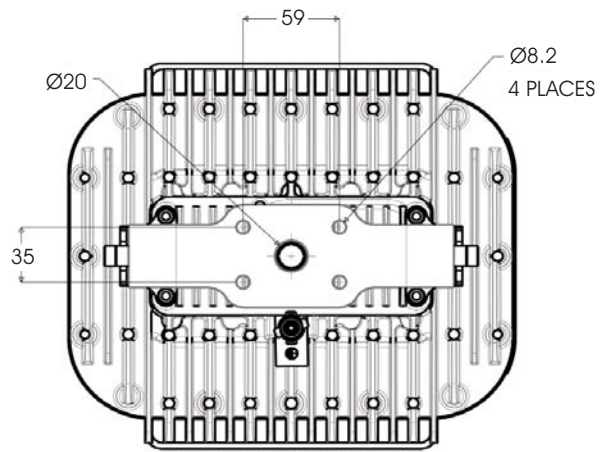
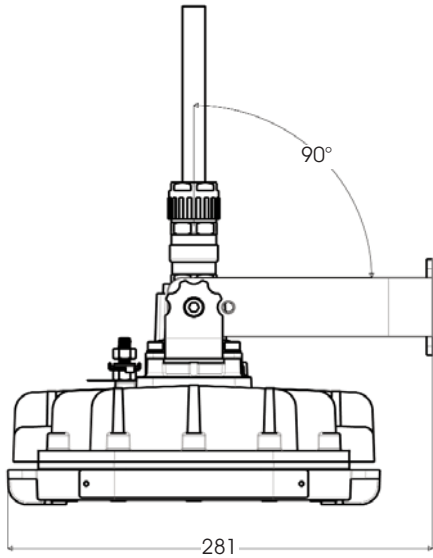
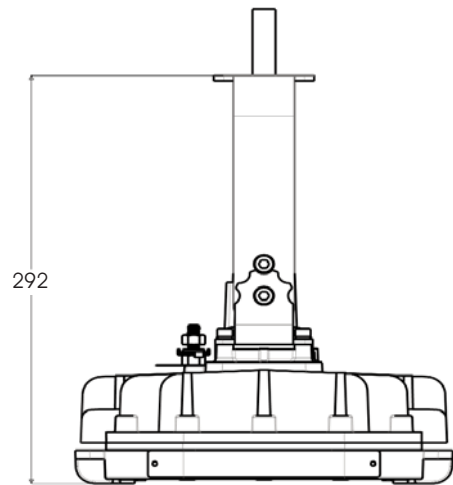
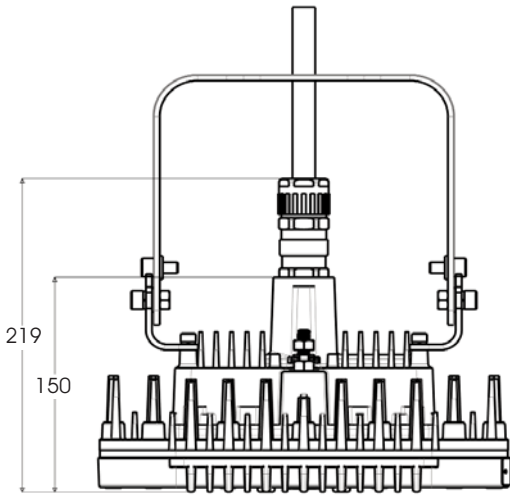
All values typical unless otherwise stated  
All lumen values are typical (tolerance +/-10%)



# SafeSite® LED Area Light

## Dimensions with Stirrup Bracket

Supplied with Stirrup Mounting bracket as shown

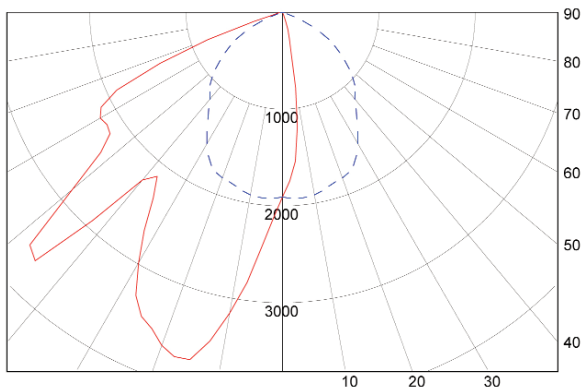


STIRRUP BRACKET FIXING POSITIONS

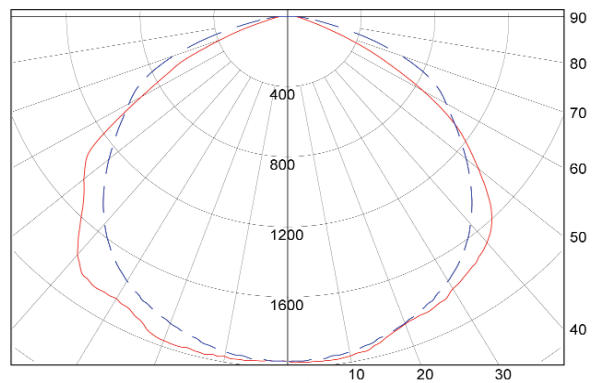
Dimensions in Inches [mm]

## Polar Plots

### 180° Optical Pattern Mounted at 45°



### 360° Optical Pattern



Dialight reserves the right to make changes at any time in order to supply the best product possible. The most current version of this document will always be available at: [www.dialight.com/assets/brochures\\_and\\_catalogs/illumination/mdtfhzsaaeux001.pdf](http://www.dialight.com/assets/brochures_and_catalogs/illumination/mdtfhzsaaeux001.pdf)  
 Warranty Statement: EXCEPT FOR THE WARRANTY EXPRESSLY PROVIDED FOR [HEREIN/ABOVE/BELOW], DIALIGHT DISCLAIMS ANY AND ALL OTHER WARRANTIES, EXPRESS OR IMPLIED, INCLUDING, WITHOUT LIMITATION, ANY WARRANTIES OF MERCHANTABILITY, FITNESS FOR A PARTICULAR PURPOSE, TITLE, AND NONINFRINGEMENT.