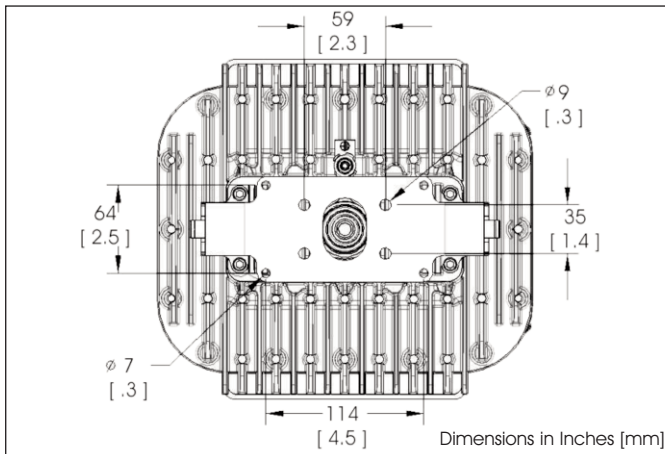


Dialight



Patent Pending

SafeSite® Series LED Area Light ATEX/IECEx Version



Certifications

- Ex II 2GD Ex d IIC T4 Gb (Ta = -20°C to +65°C)
- Ex II 2GD Ex d IIC T5 Gb (Ta = -20°C to +42°C)
- Ex † IIIC T135°C Db IP 6X (Ta = -20°C to +65°C)
- Ex † IIIC T100°C Db IP 6X (Ta = -20°C to +42°C)
- -40°C variants available for all the above
- Certificate numbers: IECEx SIR 11.0156
SIRA 11ATEX1357
- ATEX Zones 1 & 21 and 2 & 22
- IP66 rated
- RoHS compliant
- IK08 impact rating

Features & Benefits

- L70 rated for > 100,000 hours @ 25°C ambient
- 5 year full performance warranty
- Instant on/off operation
- Universal input (110-277 VAC), 50/60Hz
- Superior colour rendition index compared to HPS, LPS, MV
- Mercury free
- Resistant to shock and vibration
- Temperature compensation technology for longer life
- Factory sealed

Ordering Codes:

Part Number	Optical Pattern ¹	Color ²	Lumens	Watts	Lumens Per Watt
HZJA8C2N	180	Cool White	6,000	70	86
HZJA9C2N	360	Cool White	6,000	70	86
HZJA8C2N-2	180	Cool White	12,000	140	86
HZJA9C2N-2	360	Cool White	12,000	140	86
HZJA8C2N-3	180	Cool White	18,000	210	86
HZJA9C2N-3	360	Cool White	18,000	210	86

¹180° optical pattern versions are optimized for a 45° mounting angle

²Part numbers listed in the above table are cool white. For neutral white version replace the 6th character with N Ex: HZJA8C2N becomes HZJA8N2N
For -40°C to +65°C versions add LT to the standard part number Ex: HZA2C2N becomes HZJA2C2N-LT

Application:

The SafeSite® Series LED area light represents the future of energy efficient facility illumination for hazardous areas worldwide. The ATEX /IECEx area lighting fixture consumes at least 50% less energy compared to traditional HID light sources, while reducing maintenance and carbon emissions. This light incorporates both cutting edge LED technology along with proprietary optics to achieve area lighting comparable with other traditional light sources.

Mechanical Information

Fixture Weight:	6.58kg (14.5 lb)
Shipping Weight:	7.48kg (16.5lb)
Mounting:	Supplied with Stirrup Mounting Bracket

Electrical specifications

Operating Voltage:	110-277VAC, 50/60 Hz
Power Consumption:	70W / 140W / 210W
Operating Temp:	-20°C to +65°C (-20°F to +149°F) -40°C to +65°C also available
Surge Protection:	1 kV line to line 2 kV line to ground
THD:	<15%
Power Factor:	> 0.9

Construction

Housing:	Powder coated A360 aluminum
Finish:	Polyester / epoxy powder coat gray RAL 7040 for superior corrosion resistance
Lens:	Toughened glass

Photometric Information

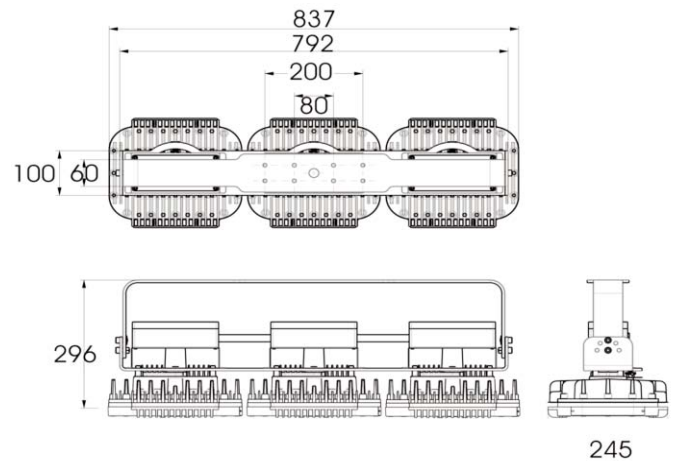
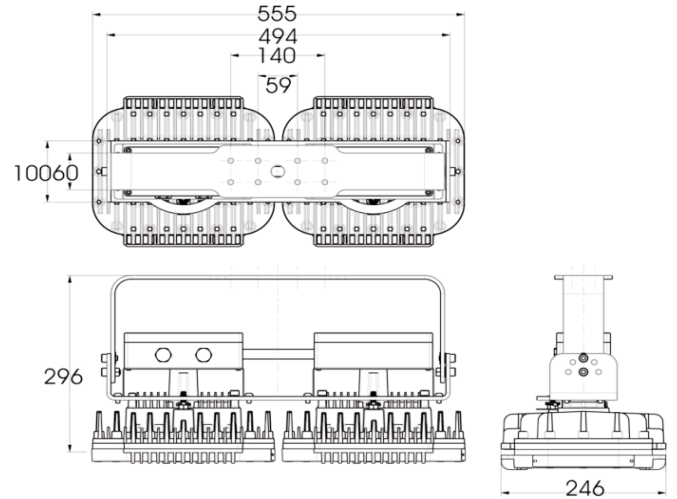
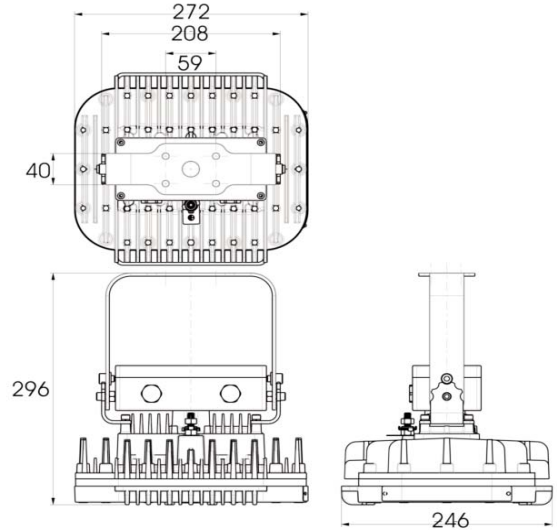
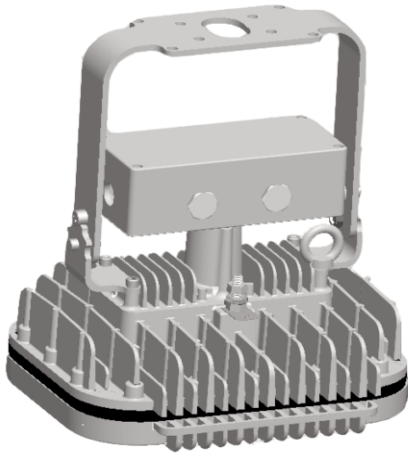
CRI:	70
CCT:	5,700K (cool white) 4,500K (neutral white)
Optics:	180° forward throw 360° forward throw
IES Files:	Available upon request

All values typical unless otherwise stated
All lumen values are typical (tolerance +/- 10%)



SafeSite® LED Area Light

Dimensions with Stirrup Bracket



Dialight reserves the right to make changes at any time in order to supply the best product possible. The most current version of this document will always be available at: www.dialight.com/Assets/Brochures_And_Catalogs/Illumination/MDTFHZSALMJBEUX001.pdf
 Warranty Statement: EXCEPT FOR THE WARRANTY EXPRESSLY PROVIDED FOR [HEREIN/ABOVE/BELOW], DIALIGHT DISCLAIMS ANY AND ALL OTHER WARRANTIES, EXPRESS OR IMPLIED, INCLUDING, WITHOUT LIMITATION, ANY WARRANTIES OF MERCHANTABILITY, FITNESS FOR A PARTICULAR PURPOSE, TITLE, AND NON-INFRINGEMENT.